

Junction Box ALCJB-X4



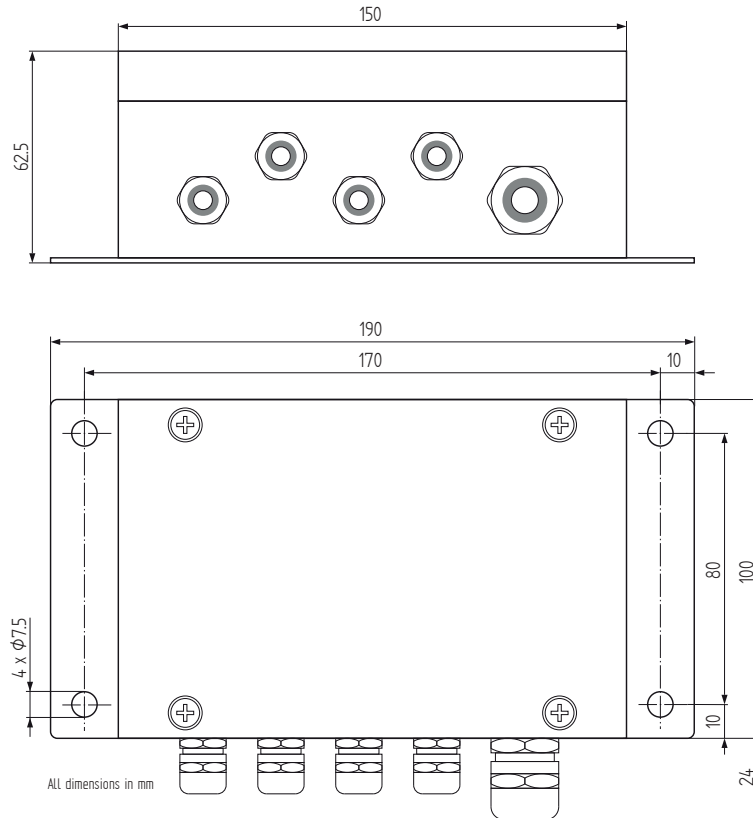
Performance Features

- Junction box made of stainless steel
- Level of protection: IP65
- Corner balancing by potentiometers
- Connection by spring clamps
- Also available without housing as board version with DIN Rail supports (see ALCJB-D4)
- ATEX 1994/9/EC version for hazardous area (option)

Application

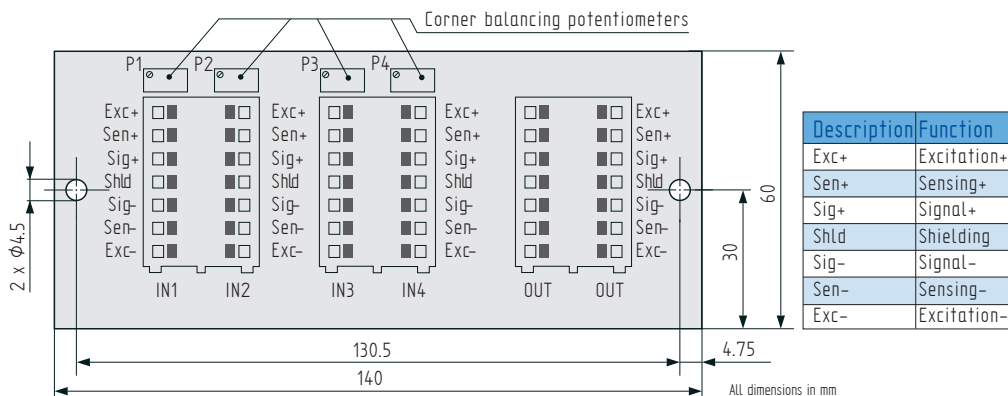
- Up to 4 analog load cells connection
- Suitable for 4- or 6-Wire technology

Dimensions in mm



Article-No.	Description	Version
115187	ALCJB-X4	Standard
115186	ALCJB-X4 ATEX/IECEX	ATEX/IECEX

Connection



Technical Data

Type	ALCJB-X4
Housing	
Material	Stainless steel
Protection level	IP65
Cable gland	
Material	Nickel-plated brass
Cable section input load cell standard	Ø 2,5 ... Ø 7 mm
Cable section output standard	Ø 6 ... Ø 11,5 mm
Cable section input load cell ATEX/IECEX	Ø 4 ... Ø 7 mm
Cable section output ATEX/IECEX	Ø 7 ... Ø 11,5 mm
Quantity	5
Electronic board	
Load cell Input terminals	4
Output terminal (amplifier)	1
Wire cross section of cable strands	0.15 mm ² - 1 mm ²
Terminal block type	Spring clamp, tool free
Corner balancing	Potentiometers 10 Ω
General	
Nominal temperature range	-40° ... 60° C
Weight	1,1 kg
Included accessories	2 Cable gland plugs

Options

Article-No.	Description	Specification	Directive
114823	ATEX/IECEX „SI“ Test	ex II 1 G/D, Ex ia IIC T6 Ga, Ex ia IIIC T80°C Da, IP6X, -40°C<Ta<40°C (zone 0, 1, 2/20, 21, 22)	ATEX 1994/9/EC, IECEx
115046	ATEX/IECEX „mode n“ Test	ex II 3 G, Ex nA IIC T6 Gc, -40°C<Ta<40°C (zone 2)	
115047	ATEX/IECEX „DUST“ Marking	ex II 2 D, Ex tb IIIC T80°C Db, IP6X, -40°C<Ta<40°C (zone 21, 22)	
105816	Cascading ALCJB	To the parallel use multiple strain gauge sensors, per sensor	