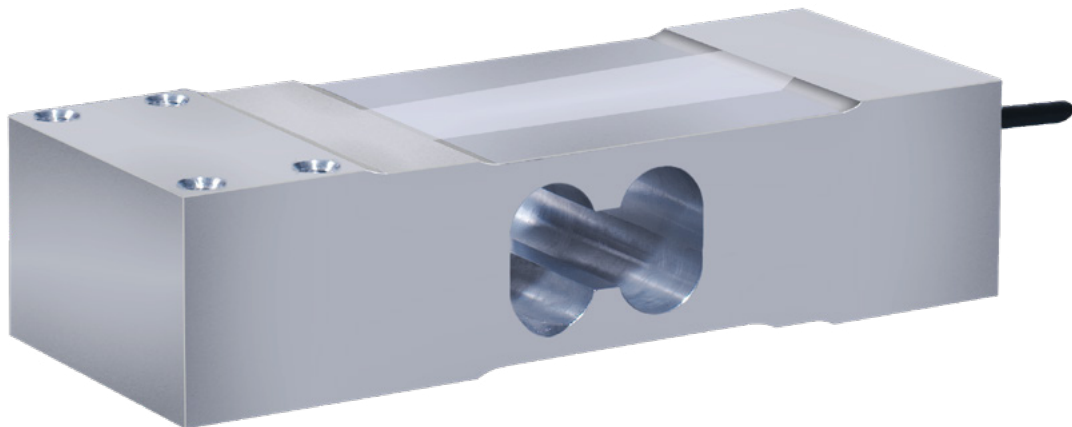


## Single Point Load Cell AP with a Rated Load of 75 ... 635 kg



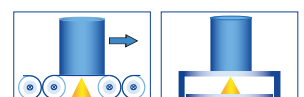
Data sheet

### Performance Features

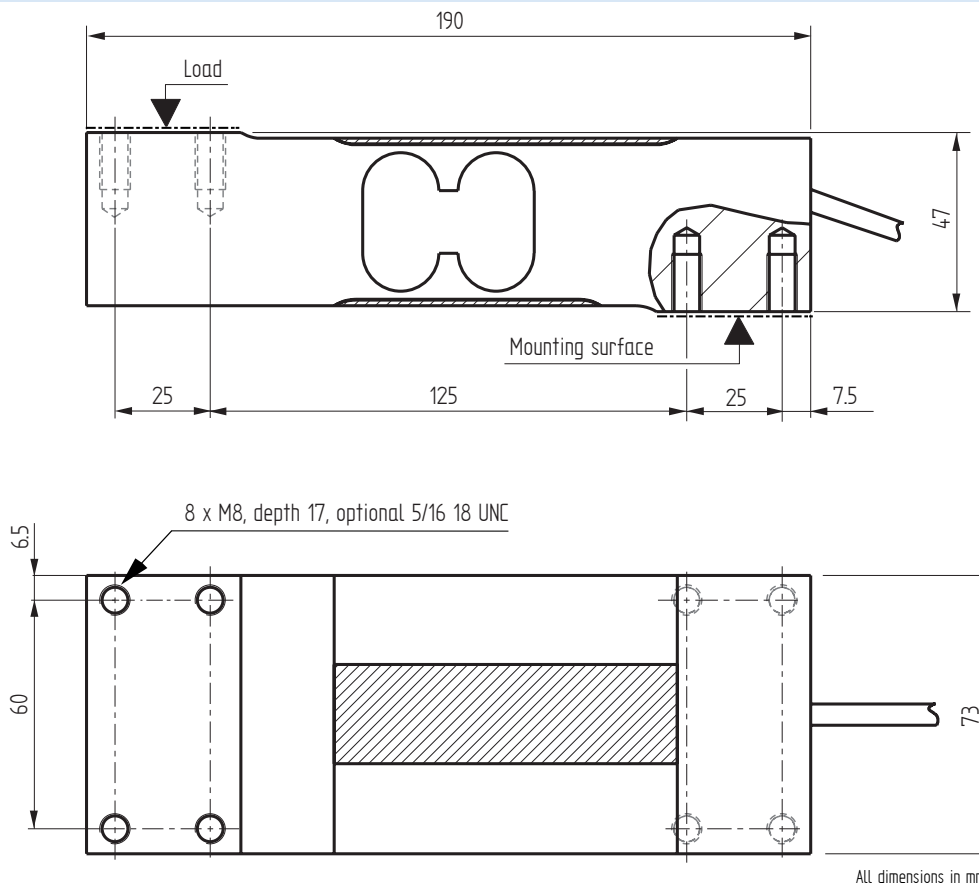
- Aluminum single point load cell
- 3000d OIML R60 and 5000d NETP approved
- Level of protection: IP65
- Designed for platforms of maximum dimensions 700 mm x 700 mm (off-center load compensated)
- Super flat construction
- ATEX 2014/34/EU version for hazardous area (option)

### Application

- Food industry
- Coal and steel industry
- Chemical/pharmaceutical industry
- Waste management/recycling
- Packaging technology



## Dimensions in mm



Article-No.	Version	Rated Load [kg]
106044	C3 10e	75
106045	C3 10e	100
106046	C3 10e	150
111398	C3 10e	200
109360	C3 10e	300
106050	C3 10e	500
106051	C3 10e	635

## Connection Assignment

Electrical Connection		
Function	Wire Color	
Excitation (+)	Brown	●
Signal (+)	Yellow	●
Signal (-)	White	○
Excitation (-)	Green	●
Sensing (+)	Gray	●
Sensing (-)	Pink	●

## Technical Data

Type	AP	
Version		C3 10e
Rated load <b>E</b>	kg	75; 100; 150; 200; 300; 500; 635
Maximum load for approved weighing <b>E<sub>max</sub></b>	kg	75; 100; 150; 200; 300; 500; 635
Accuracy class OIML R60		C3
Maximum numbers of load cell intervals <b>n<sub>max</sub></b>	d OIML	3000
Minimum verification interval <b>v<sub>min</sub></b>	kg	E/10000
Creep division factor $Z = E_{max}/2 \times DR$		3000
Combined error	% E	±0.017
Temperature coefficient of zero signal	% E/°C	±0.0014
Temperature coefficient of characteristic value	% E/°C	±0.0014
Load creep <b>d<sub>cr, F</sub></b> in 30 min.	% E	±0.025
Zero balance	% E	±10
Rated output at E <b>C<sub>nom</sub></b>	mV/V	2 ±10 %
Rated range of excitation voltage <b>B<sub>U, nom</sub></b>	V	1 ... 15
Input resistance <b>R<sub>e</sub></b>	Ω	410 ±20
Output resistance <b>R<sub>a</sub></b>	Ω	350 ±5
Insulation resistance <b>R<sub>is</sub></b>	MΩ/50V	1000
Electrical connection		Cable, PVC, 3 m
Rated temperature range <b>B<sub>T, nom</sub></b>	°C	-10 ... 40
Operating temperature range <b>B<sub>T, G</sub></b>	°C	-20 ... 60
Limit load <b>E<sub>lim</sub></b>	% E <sub>max</sub>	150
Breaking load <b>E<sub>b</sub></b>	% E <sub>max</sub>	200
Tightening torque	Nm	40
Maximum platform dimension	mm	700 x 700
Level of protection		IP65
Material		Aluminium
Weight		1.6

## Options

Article-No.	Description
111735	Protective coating
107798	ATEX 2014/34/EU, IECEx: ex II 1 G/D, Ex ia IIC T6 Ga, Ex ia IIIC T80 °C Da, IP6X, -20 °C < Ta < +60 °C (zones gaz 0/1/2, dust 20/21/22)
115049	ATEX 2014/34/EU, IECEx: ex II 1 D, Ex ta IIIC T125 °C Da, IP6X, -20 °C < Ta < +60 °C (zones dust 20/21/22)
115048	ATEX 2014/34/EU, IECEx: ex II 3 G, Ex nA IIC T6 Gc, -20 °C < Ta < +60 °C (zone gaz 2)

## Accessories

### Electrical Connection

Article-No.	Description
10323	Male cable connector KS6 (6-pin, Series 581) incl. mounting
10320	Male cable connector KSSH15 (15-pin) incl. mounting
43418	Input connector ZA9612FS (ALMEMO) incl. sensor mounting and connector calibration
49205	Input connector ZKD712FS (ALMEMO 202) incl. sensor mounting and connector calibration

## Accessories (continued)

### Weighing Electronics

ALCJB-A	CPJ/CPJ2S	IPE50 Panel
 The image shows a white plastic terminal block with two rows of screw terminals. The top row is open, revealing a green printed circuit board (PCB) with several electronic components and soldered connections. The bottom row is closed with a white cover.	 The image shows a green plastic terminal block with a vertical orientation. It has a single row of screw terminals on the front and a green PCB with components visible on the side.	 The image shows a rectangular weighing panel with a black top and a blue front. It features a red LED display showing '30.000', several yellow buttons, and a small logo at the bottom right.

Further suitable accessories you can find on our homepage under:

[https://www.lorenz-messtechnik.de/english/products/lc\\_weighing-electronics.php](https://www.lorenz-messtechnik.de/english/products/lc_weighing-electronics.php)